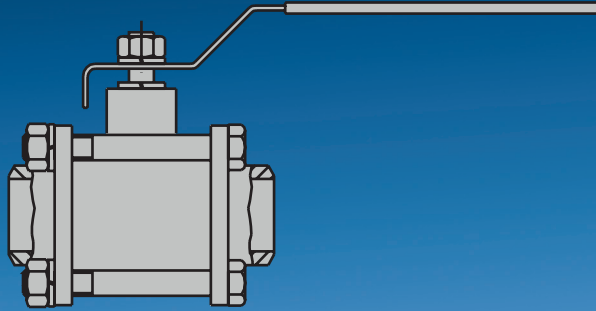


# AWH Ball Cocks



**Technical Data Ball Cocks 2-PC – Thread, 3-PC – Butt Weld und 3-PC– Thread Full Bore**

max. working Temperature -20 bis 120 °C  
 max. working Pressure PN 63  
 Threads ASME B 1.20.1, BS21, DIN EN 10226 - 1

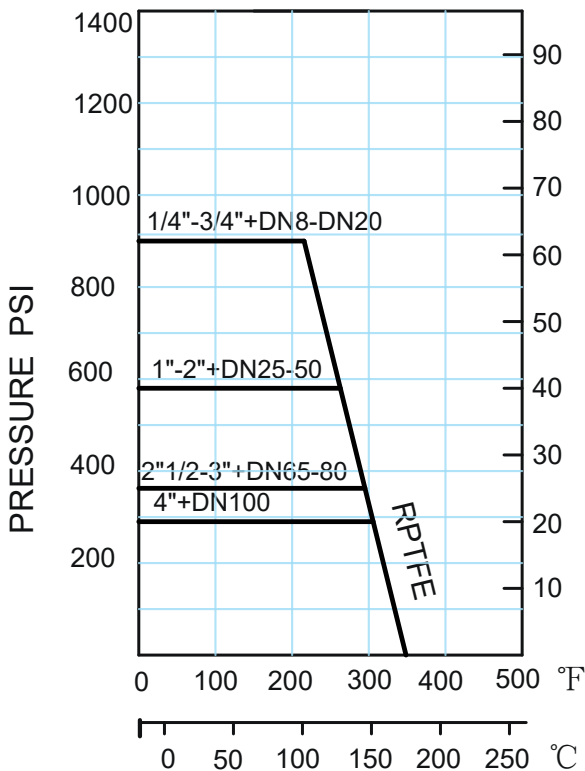
**Material**

Body, End Cap	CF8M (1.4408)
Ball	316 (1.4404)
Stem	316 (1.4404)
Gland, Washer	304 (1.4301)
Bolt, Nut	304 (1.4301)
Ball Seal, Thrust Packing	RPTFE
Other Packing	PTFE
Handle	304 (1.4301) with plastic cover and padlocking device

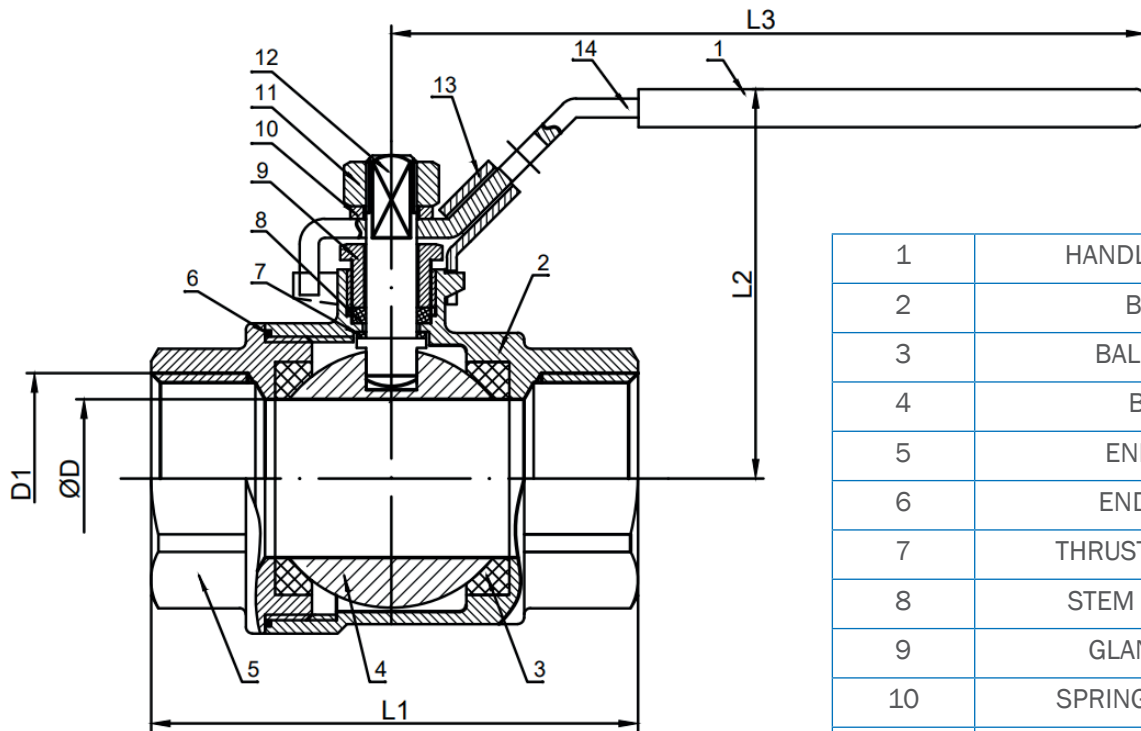
Notes on the general operating conditions:

The pressure to temperature ratio should basically be observed here. The maximum pressure of all of the products in the AWH ball cock program may only be taken at room temperature. If temperatures rise, the operating pressure must be lowered or adjusted (see diagram below). We recommend a max. continuous operating temperature of 95 °C at a pressure of 10 bar. The maximum values given in the data sheet may only occur for a short period of time e.g. during cleaning or steaming. We offer other products that deviate from the standard for extended operating conditions. If ball cocks that have not been operated in a long period of time are operated again, higher torque may be necessary for opening or closing. It is recommend to always open and close the ball cocks slowly and smoothly. Jerky movements can damage the PTFE seal and can cause leakage.

**PRESSURE-TEMPERATURE RATING**



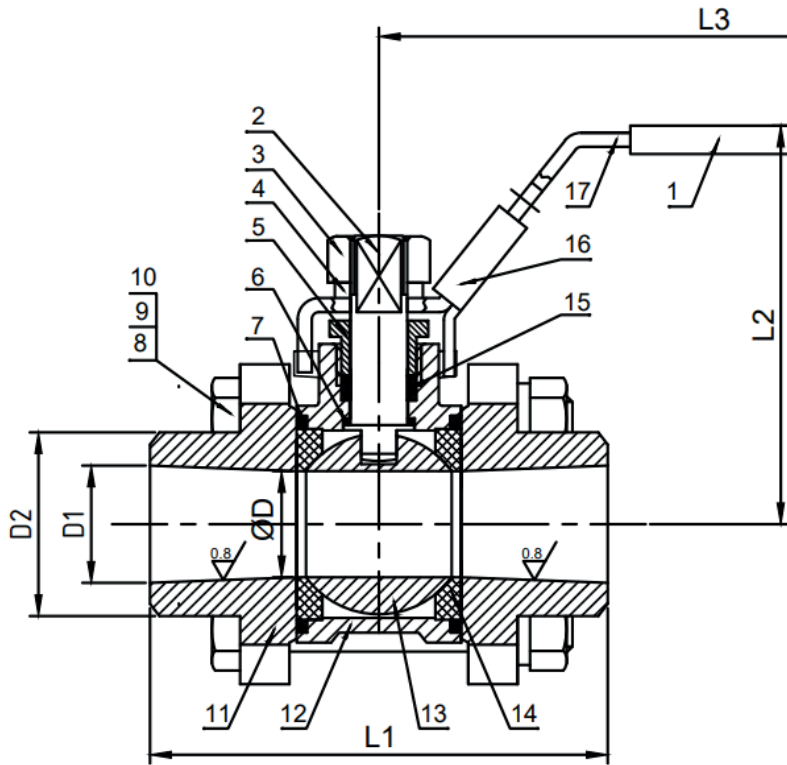
### Technical Data 2-PC Ball Cock – Full Bore Thread



1	HANDLE COVER
2	BODY
3	BALL SEAL
4	BALL
5	END CAP
6	END SEAL
7	THRUST WASHER
8	STEM PACKING
9	GLAND NUT
10	SPRING WASHER
11	STEM NUT
12	STEM
13	LOCK DEVICE
14	HANDLE

Art.-No.	DN	D	D1	L1	L2	L3	Weight	PN [20 °C]
461150002	1/4"	11,6	Rp 1/4	48,5	48	91,5	0,16	63
461151002	3/8"	12,5	Rp 3/8	48,5	48	91,5	0,16	63
461152002	1/2"	15	Rp 1/2"	56,5	52,5	103	0,24	63
461153002	3/4"	20	Rp 3/4"	65	59	112,5	0,36	63
461154002	1"	25	Rp 1"	77	62,5	112,5	0,54	40
461155002	1 1/4"	32	Rp 1 1/4"	87	74	140	0,88	40
461157002	1 1/2"	38	Rp 1 1/2"	98	77,5	140	1,25	40
461158002	2"	50	Rp 2"	119	92,5	162	2,38	40
461159002	2 1/2"	64	Rp 2 1/2"	144,5	118	230	4,41	25
461160002	3"	76	Rp 3	166	127	230	6,75	25

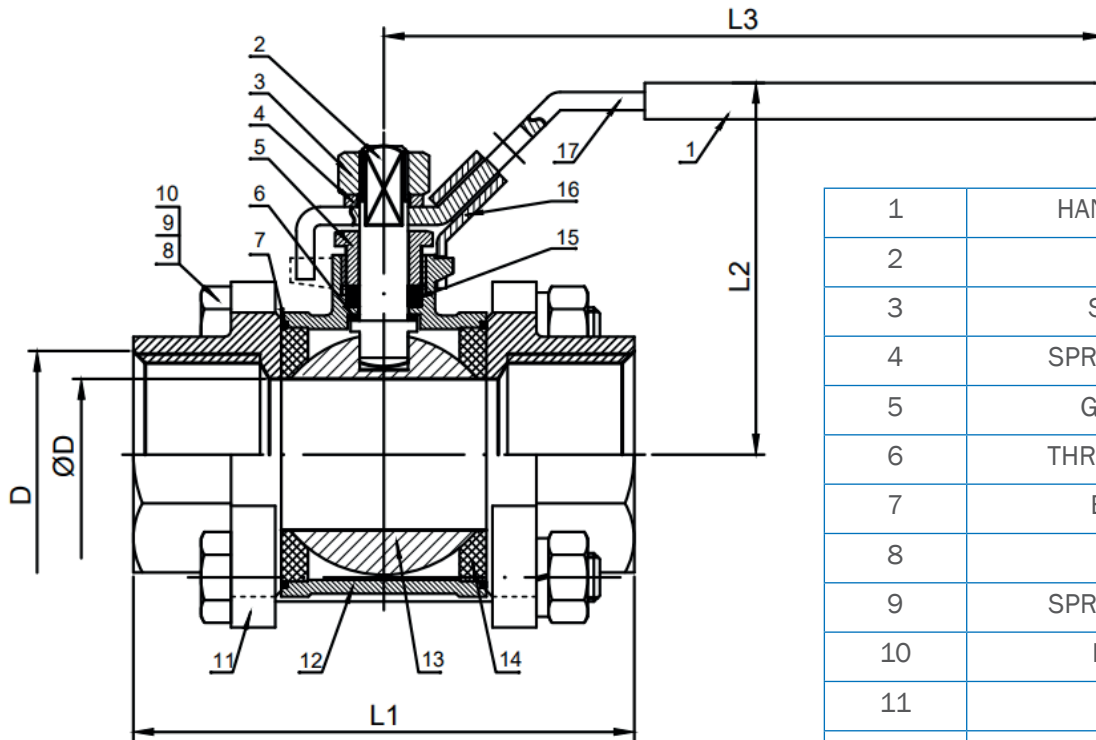
**Technical Data 3-PC Ball Cook – Butt Weld**



1	HANDLE COVER
2	STEM
3	STEM NUT
4	SPRING WASHER
5	GLAND NUT
6	THRUST WASHER
7	END SEAL
8	BOLT
9	SPRING WASHER
10	BOLT NUT
11	END CAP
12	BODY
13	BALL
14	BALL SEAT
15	STEM PACKING
16	LOCK DEVICE
17	HANDLE

Art.-No.	DN	D	D1	D2	L1	L2	L3	Weight	PN [20 °C]
461350002	1/4"	12,5	8	17,5	59	50,2	103,5	0,3	63
461351002	3/8"	12,5	10	17,5	59	50,2	103,5	0,3	63
461352002	1/2"	15	16	22	63,3	56,5	108,5	0,45	63
461353002	3/4"	20	20	27,3	70,6	62,2	108,5	0,57	63
461354002	1"	25	26	34	82	70,5	130,5	0,86	40
461355002	1 1/4"	32	32	42,7	97	78,5	130,5	1,37	40
461357002	1 1/2"	38	38	48,7	108,6	92	162,5	2,02	40
461358002	2"	50	50	61	124,5	101	162,5	3,3	40
461359002	2 1/2"	65	66	76,5	162	121,5	230	7,32	25
461360002	3"	80	81	90	175	132	230	10,65	25
461362002	4"	100	100	115	216	175	320	21,05	20

### Technical Data 3-PC Ball Cock – Full Bore Thread



1	HANDLE COVER
2	STEM
3	STEM NUT
4	SPRING WASHER
5	GLAND NUT
6	THRUST WASHER
7	END SEAL
8	BOLT
9	SPRING WASHER
10	BOLT NUT
11	END CAP
12	BODY
13	BALL
14	BALL SEAT
15	STEM PACKING
16	LOCK DEVICE
17	HANDLE

Art.-No.	DN	D	D1	L1	L2	L3	Weight	PN [20° C]
461250002	1/4"	11,6	Rp 1/4"	59	50,2	103,5	0,30	63
461251002	3/8"	12,5	Rp 3/8"	59	50,2	103,5	0,30	63
461252002	1/2"	15	Rp 1/2"	63,3	56,5	108,5	0,46	63
461253002	3/4"	20	Rp 3/4"	70,6	62,2	108,5	0,58	63
461254002	1"	25	Rp 1"	82	70,5	130,5	0,86	40
461255002	1 1/4"	32	Rp 1 1/4"	97	78,5	130,5	1,32	40
461257002	1 1/2"	38	Rp 1 1/2"	108,6	92	162,5	2,09	40
461258002	2"	50	Rp 2"	124,5	101	162,5	3,26	40
461259002	2 1/2"	64	Rp 2 1/2"	162	121,5	230	7,12	25
461260002	3"	76	Rp 3"	175	132	230	10,68	25
461262002	4"	100	Rp 4"	216	175	320	21,10	20

Armaturenwerk Hötensleben GmbH  
Schulstr. 5-6  
D-39393 Hoetensleben

Tel: +49 39405 92-0  
Fax: +49 39405 92-111  
E-mail: info@awh.eu  
http://www.awh.eu

## NEUMO Ehrenberg Group

