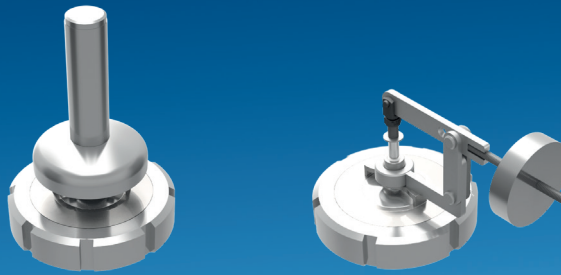


Datasheet Vacuum Valve



General

Vacuum valves are used to protect containers against negative pressure. AWH has two vacuum valve standards in its portfolio that can be used together with the AWH safety valve as a coordinated unit to protect containers.

Vacuum can occur if an outlet valve on the container is opened unintentionally. The vacuum must be equalized at this moment so that the container is not damaged.

The AWH vacuum valves have a fast response torque and can also quickly compensate for larger flow volumes. The geometry of the valve series is designed in such a way that the cleaning fluids flow off in the best possible way when cleaning the tank from the outside, do not enter the tank and have no influence on the response behavior of the valve.

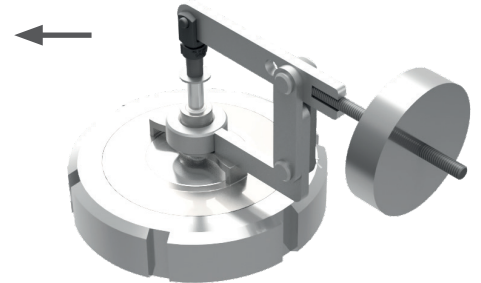
Versions

The AWH vacuum valves are available in two versions:



The **spring-loaded version** has the advantages of a compact design and can be installed in any position on the tank. It can optionally be equipped with a screen housing (bug screen) or with feedback. Pneumatic ventilation is also available as an option.

The **weighted version**, which has a higher flow rate and lower differential pressure than the spring version due to its design, must always be installed vertically.



Specifications

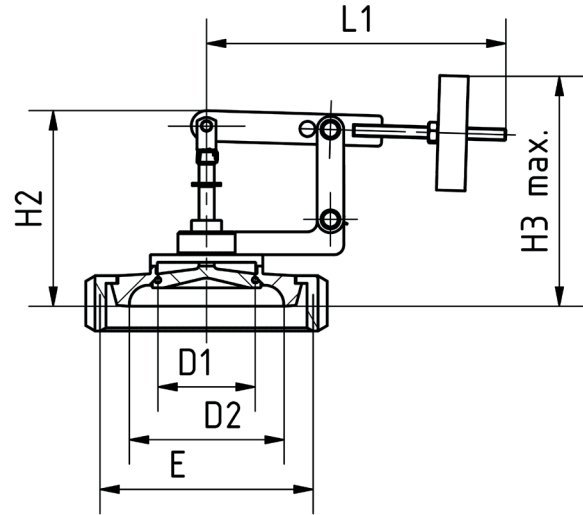
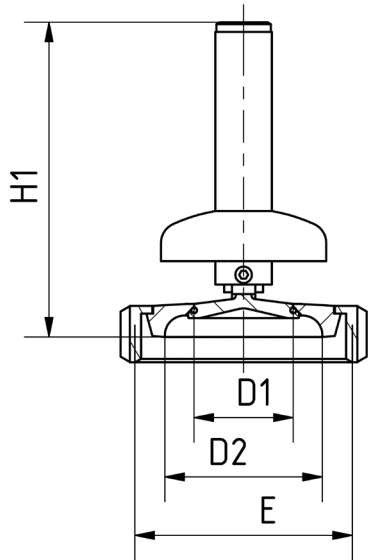
- Seal:** EPDM und FKM
- Surface in contact with the product:** Ra 0,8 µm
- Material in contact with the product:** 1.4404 / 316L
- Opening pressure at:** 2,5 mbar or 10 mbar differential, other pressures on request
- Working pressure:** -1 to 10 bar
- Temperature range:** 5 °C to 130 °C
- Installation position weight-loaded:** vertical
- Spring-loaded installation position:** vertical und horizontal
- Tank connection 25 - 100:** DIN 11851 cone/nut, other connections on request
- Maximum flow rate:**

DN	25	32	40	50	65	80	100
Vmax. [m³/h] at 0.1 bar	55	90	120	210	370	560	850

Technical data and ordering information

spring-loaded

weight-loaded



Dimensions and Weights

DN	D1	D2	E	H1	H2	H3	L1	Weight wight-loaded [kg]	Weight spring-loaded [kg]
25	27	38	Rd 65 x 1/6"	158	81	97	157	0.73	0.83
32	33	50	Rd 78 x 1/6"	159	83	101	156	1.00	1.00
40	39	66	Rd 95 x 1/6"	161	90	116	157	1.40	1.40
50	51	81	Rd 110 x 1/4"	162	102	135	157	2.00	1.80
65	67	100	Rd 130 x 1/4"	153	107	148	157	2.60	2.80
80	81	125	Rd 160 x 1/4"	156	121	155	220	3.90	3.90
100	100	150	Rd 190 x 1/4"	160	129	172	220	5.60	5.50

Standard connection is cone/nut to DIN 11851.
 All valves have a linear opening behavior.
 We recommend a gasket with collar in accordance with DIN 11851.

Order details

DN	Spring/EPDM 10mbar	Spring/FKM 10mbar	Weight/EPDM 10mbar	Weight/FKM 10mbar	Weight/EPDM 2,5mbar	Weight/FKM 2,5mbar
25	4511 050 OA0/1	4511 050 OA0/2	4518 050 OA0/1	4518 050 OA0/2	4518 050 OB0/1	4518 050 OB0/2
32	4511 060 OA0/1	4511 060 OA0/2	4518 060 OA0/1	4518 060 OA0/2	4518 060 OB0/1	4518 060 OB0/2
40	4511 070 OA0/1	4511 070 OA0/2	4518 070 OA0/1	4518 070 OA0/2	4518 070 OB0/1	4518 070 OB0/2
50	4511 080 OA0/1	4511 080 OA0/2	4518 080 OA0/1	4518 080 OA0/2	4518 080 OB0/1	4518 080 OB0/2
65	4511 090 OA0/1	4511 090 OA0/2	4518 090 OA0/1	4518 090 OA0/2	4518 090 OB0/1	4518 090 OB0/2
80	4511 100 OA0/1	4511 100 OA0/2	4518 100 OA0/1	4518 100 OA0/2	4518 100 OB0/1	4518 100 OB0/2
100	4511 120 OA0/1	4511 120 OA0/2	4518 120 OA0/1	4518 120 OA0/2	4518 120 OB0/1	4518 120 OB0/2



Armaturenwerk Hötensleben GmbH
 Schulstr. 5-6
 D-39393 Hötensleben

Tel: +49 39405 92-0
 Fax: +49 39405 92-111
 E-Mail: info@awh.eu
 http://www.awh.eu

NEUMO Ehrenberg Group

