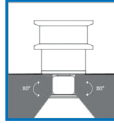
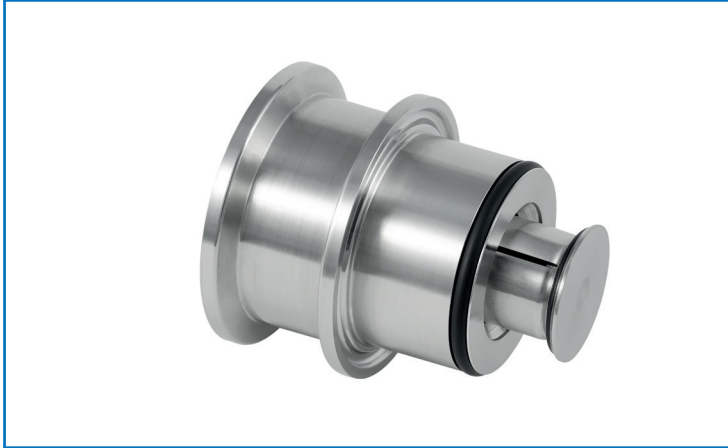


# TANKO® RF50

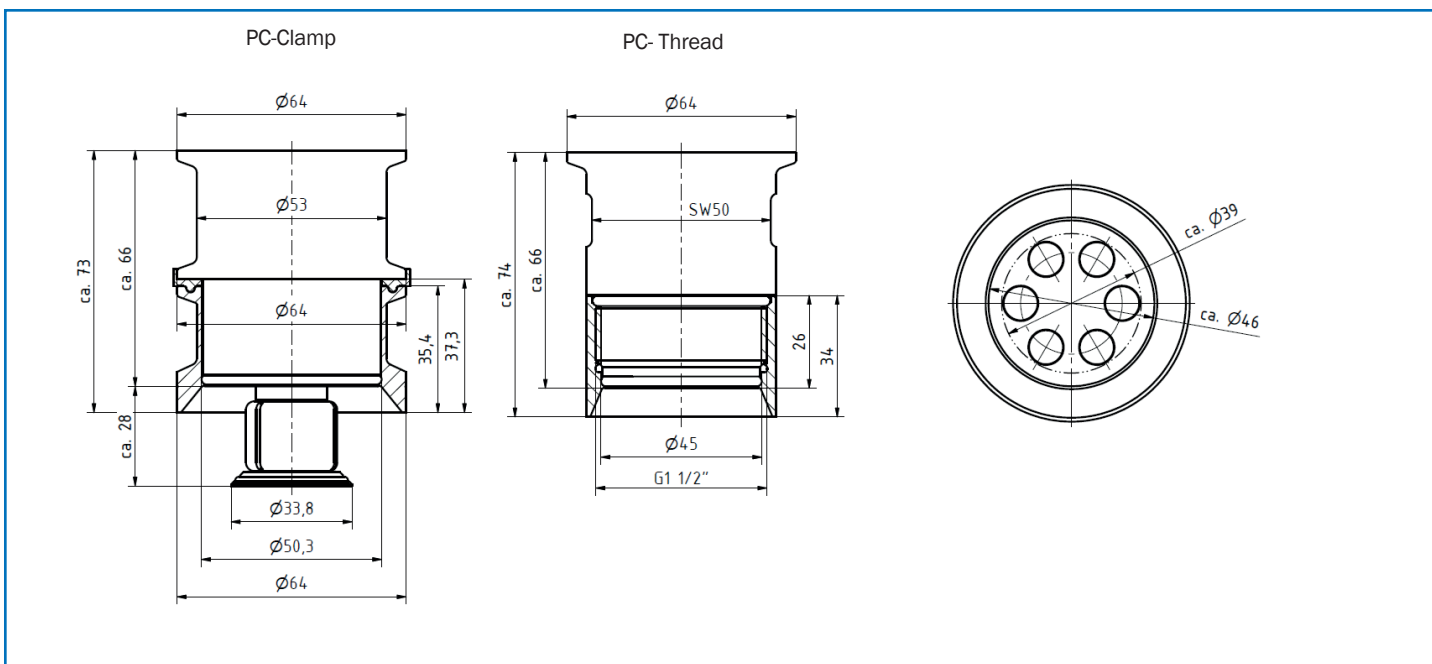


The TANKO® RF is a mini retractor system with a rotating spray head that is extended for the cleaning process with the help of the cleaning medium pressure and driven with the help of the spray head. After switching off the cleaning medium supply, the spray head retracts into its housing by spring force and closes tightly with the help of the O-ring. The device is used to clean the insides of pipelines, spray dryers or small containers where built-in components are not permitted. The TANKO® RF is available in two sizes TANKO® RF40 and TANKO® RF50.

All consumption specifications are for orientation only.  
The dimensions listed are in mm and are nominal dimensions.

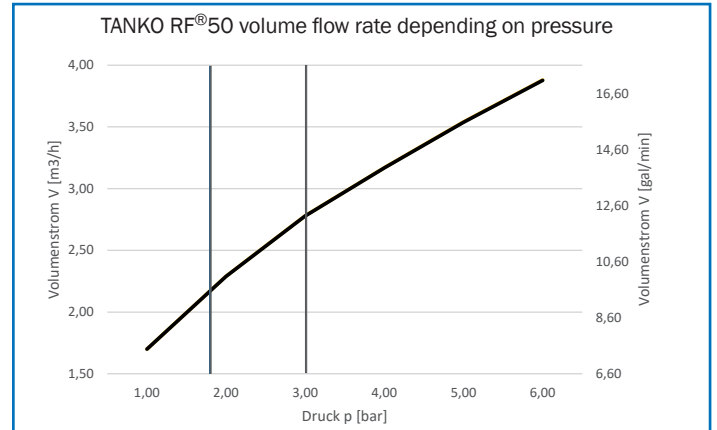
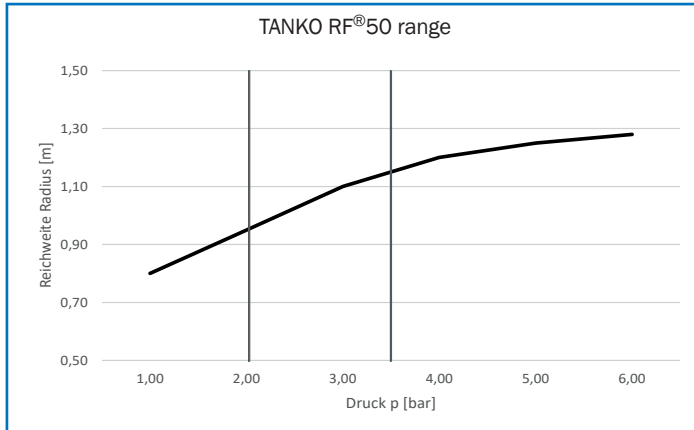
## Technical Parameters

<b>Spray angle:</b>	80° upwards
<b>Materials:</b>	1.4404, 1.4430, 1.4401 (spring), PEEK, EPDM (optional FKM and FFKM)
<b>Connections:</b>	Medium connection: Clamp according to DIN 32676 DN50 series A/ 48.3 series B / 2" series C Process connection: Clamp connection thread connection
<b>Operating pressure:</b>	Cleaning medium: 1 - 6 bar / 14.5 - 87 psi g
<b>Working temperature:</b>	Cleaning medium: max. 95 °C / 203 °F
<b>Volume flow rate:</b>	1.7 - 3.9 m³/h / 28.3 - 65 l/min / 7.5 - 17.2 gpm (US)
<b>Range:</b>	0.8 - 1.3m / 2.6 - 4.3 ft
<b>Weight:</b>	approx. 0.9 kg
<b>Installation position:</b>	vertically (other positions possible with reduced service life of the wearing parts)
<b>Bearings:</b>	Plain bearing



# TANKO® RF50

## Consumption Data and Throw Length Data



## Ordering Information

TANKO® RF50				
Article no.	Connection	Description	Sealing material	Price/EUR
66RF 150 00CC 20	Clamp	TANKO-RF50-C-C-E	EPDM	510,00
66RF 150 00GC 20	Thread	TANKO-RF50-G-C-E	EPDM	510,00
66RF 350 00CC 20	Clamp	TANKO-RF50-C-C-V	FKM	540,00
66RF 350 00GC 20	Thread	TANKO-RF50-G-C-V	FKM	540,00
66RF 450 00CC 20	Clamp	TANKO-RF50-C-C-F	FFKM	695,00
66RF 450 00GC 20	Thread	TANKO-RF50-G-C-F	FFKM	695,00

One weldon connector is included with each device.

## Accessories & Services

### Blind plug

Article no.	Description	Price/EUR
66RF 050 0BC 020	Blind plug for TANKO® RF50 Clamp	89,00
66RF 050 0BG 020	Blind plug for TANKO® RF50 Thread	89,00

### Weldon Connector (included in the device)

Article no.	Description	Price/EUR
66RF 050 0AC 020	Weldon connector for TANKO® RF50 Clamp	57,60
66RF 050 0AG 020	Weldon connector for TANKO® RF50 Thread	57,60

## Measuring Report

Number of measuring points	Description	Gerät	Price/EUR
4	Roughness	TANKO® RF50	45,00
3	Roughness	Weldon connector Thread - 66RF 050 0AG 020	35,00
4	Roughness	Weldon connector Clamp - 66RF 050 0AC 020	45,00