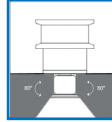


# TANKO® RF40

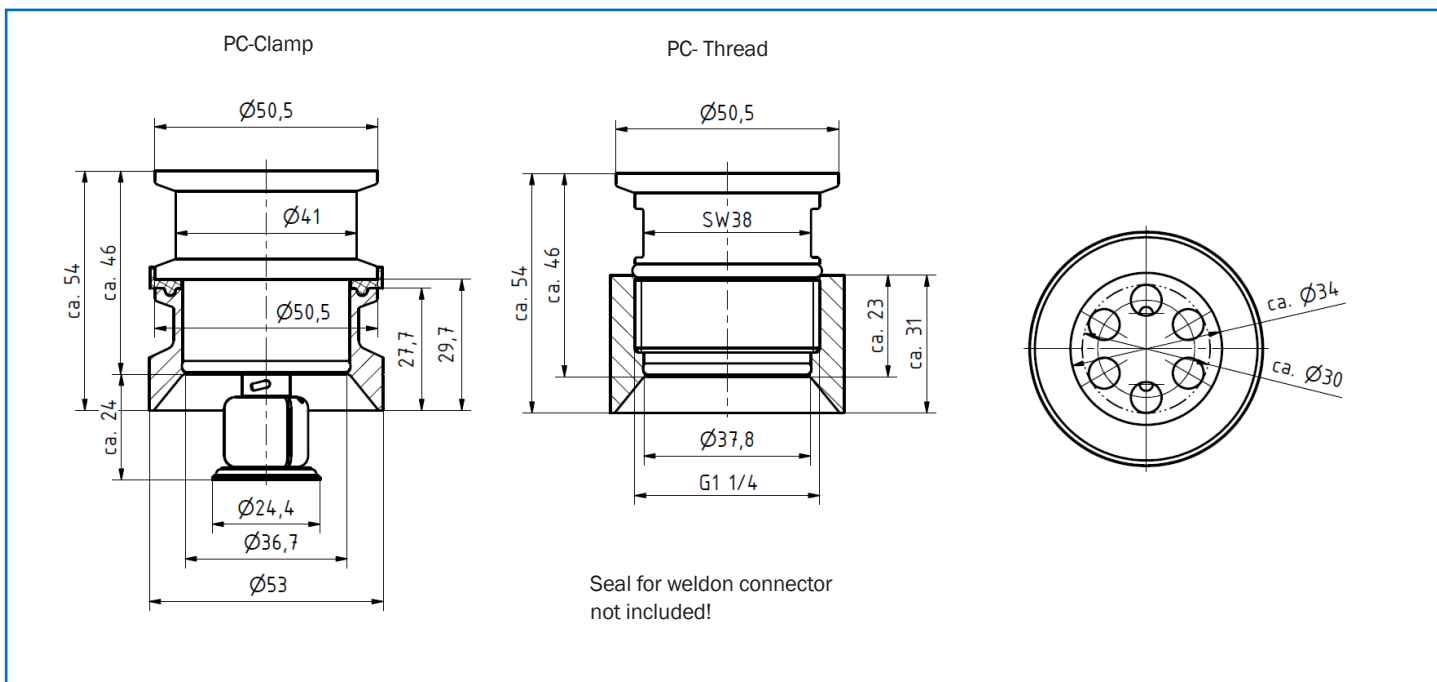


The TANKO® RF is a mini retractor system with a rotating spray head that is extended for the cleaning process with the help of the cleaning medium pressure and driven with the help of the spray head. After switching off the cleaning medium supply, the spray head retracts into its housing by spring force and closes tightly with the help of the O-ring. The device is used to clean the insides of pipelines, spray dryers or small containers where built-in components are not permitted. The TANKO® RF is available in two sizes TANKO® RF40 and TANKO® RF50.

All consumption specifications are for orientation only.  
The dimensions listed are in mm and are nominal dimensions.

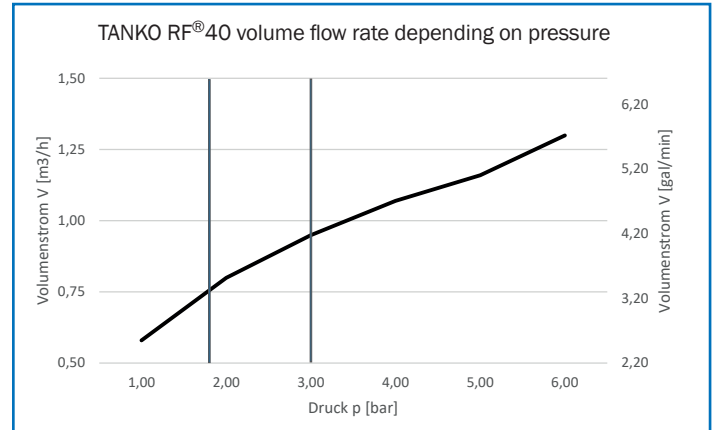
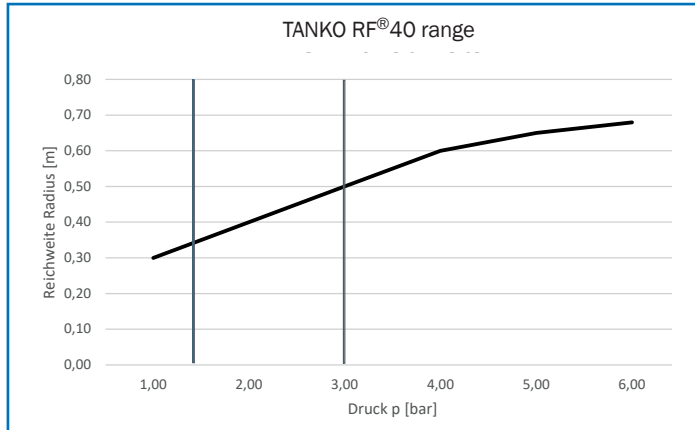
## Technical Parameters

<b>Spray angle:</b>	80° upwards
<b>Materials:</b>	1.4404, 1.4430, 1.4401 (spring), PEEK, EPDM (optional FKM and FFKM)
<b>Connections:</b>	Medium connection: Clamp according to DIN 32676 DN40 series A/ 1 1/2" series C Process connection: Clamp connection thread connection
<b>Operating pressure:</b>	Cleaning medium: 1 - 6 bar / 14.5 - 87 psi g
<b>Working temperature:</b>	Cleaning medium: max. 95 °C / 203 °F
<b>Volume flow rate:</b>	0.5 - 1.3 m³/h / 8.3 - 21.7 l/min / 2.2 - 5.7 gpm (US)
<b>Range:</b>	0.3 - 0.7m / 1 - 2.3 ft
<b>Weight:</b>	approx. 0.43 kg
<b>Installation position:</b>	vertically (other positions possible with reduced service life of the wearing parts)
<b>Bearings:</b>	Plain bearing



# TANKO® RF40

## Consumption Data and Throw Length Data



## Ordering Information

### TANKO® RF40

Article no.	Connection	Description	Sealing material	Price/EUR
66RF 140 00CC 20	Clamp	TANKO-RF40-C-C-E	EPDM	470.00
66RF 140 00GC 20	Thread	TANKO-RF40-G-C-E	EPDM	470.00
66RF 340 00CC 20	Clamp	TANKO-RF40-C-C-V	FKM	500.00
66RF 340 00GC 20	Thread	TANKO-RF40-G-C-V	FKM	500.00
66RF 440 00CC 20	Clamp	TANKO-RF40-C-C-F	FFKM	655.00
66RF 440 00GC 20	Thread	TANKO-RF40-G-C-F	FFKM	655.00

One weldon connector is included with each device.

## Accessories & Services

### Blind plug

Article no.	Description	Price/EUR
66RF 040 0BC 020	Blind plug for TANKO® RF40 Clamp	56.80
66RF 040 0BG 020	Blind plug for TANKO® RF40 Thread	75.00

### Weldon Connector (included in the device)

Article no.	Description	Price/EUR
66RF 040 0AC 020	Weldon connector for TANKO® GC40/RF40 Clamp	48.00
66RF 040 0AG 020	Weldon connector for TANKO® GC40/RF40 Thread	48.00

## Measuring Report

Number of measuring points	Description	Device	Price/EUR
4	Roughness	TANKO® RF40	45.00
3	Roughness	Weldon connector Thread - 66RF 040AG 020	35.00
4	Roughness	Weldon connector Clamp - 66RF 040AC 020	45.00