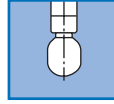
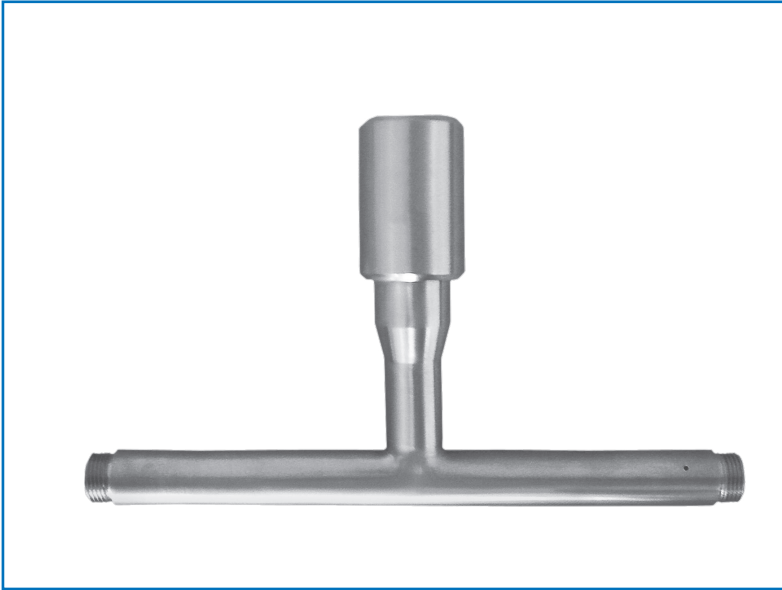


TANKO® R64T



360°

Der TANKO® R64T rotates on a vertical axis. In conjunction with two TANKO® S30 or TANKO® RB30 devices, even hard-to-reach areas can be optimally cleaned.

All consumption specifications are for orientation only.
The dimensions listed are in mm and are nominal dimensions.

Technical Parameters

Spray angle:	360°
Materials:	in contact with the medium: 1.4435 (316L), ball bearing 1.4404 (316L)
Connections:	Medium connection: 3/4" BSP female thread, Clipon OD 29.0 Process connection: 3/8" BSP male thread for TANKO® S30 or TANKO® RB30, Clipon OD 19.0 for TANKO® S30 or TANKO® RB30 Clipon
Operating pressure:	1.5 - 7 bar / 21.8 - 101.5 psi (Depending on the installed cleaning device!)
Working temperature:	Cleaning medium: max. 230 °C / 446 °F (Does not apply to ATEX versions!)
Ambient temperature:	Inside the vessel: max. 250 °C / 482 °F (Does not apply to ATEX versions!)
Volume flow rate:	2 x TANKO® S30 360° BSP: 4.9 - 7.2 m³/h / 81.7 - 120 l/min / 21.6 - 31.7 gpm (US) *
Range:	Cleaning radius and wetting radius depend on the version
Installation position:	vertically suspended, other positions on request
Bearings:	double spray ball bearings
Surface:	hand polished

*Depending on model and cleaning medium

Information as per ATEX (excerpt)

The cleaning devices satisfy the explosion protection requirements of Directive 2014/34/EU.

Current information on the type approval of the cleaning devices: TANKO® R64T

(G = Gas, D = Dust, X at the end of the identification number = Special conditions, see operating instructions)

⊕ II 1 G Ex h IIB 85 °C... 225 °C Ga
II 1 D Ex h IIIC T60 °C... T180 °C Da
TÜV-A24ATEX0101 X

Applies to both - threaded and clipon version.

The technical data of the ATEX units can differ from the standard units and this data is provided in the respective operating and installation instructions.

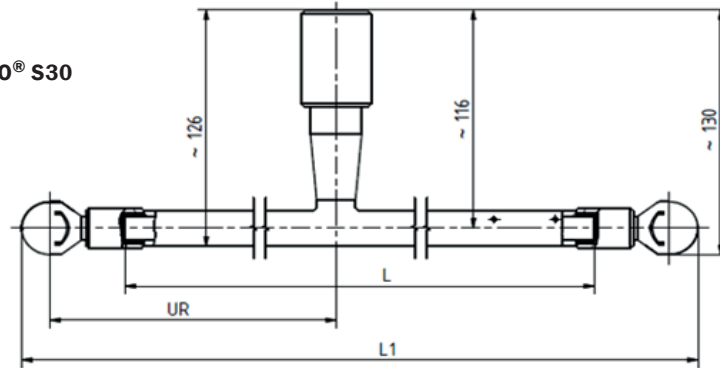
Article no.: please take the respective article number and substitute the 4th digit from the front with an "X". E.g.: 66TX_____

Surcharge on standard products from the TANKO® R64T series: 265.00 EUR.

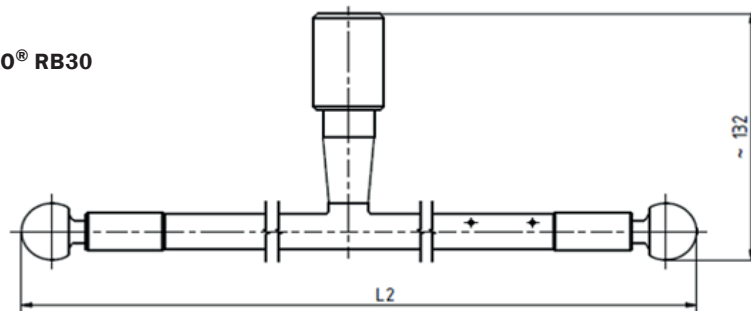
TANKO® R64T Connection BSP 3/4"

Configuration Examples

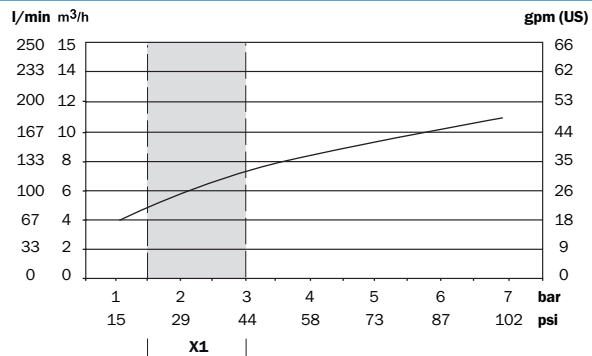
with TANKO® S30



with TANKO® RB30



Consumption TANKO® R64T with 2 x TANKO® S30 360°



X1 – recommended operating pressure

Ordering Information

TANKO® R64T

Article no.	x [mm]	L [mm]	L1 [mm]	L2 [mm]	Weight without CD [g]	Price/EUR
66T0 513 4131 3131 *	111	148	250	270	352	710.00
66T0 513 4131 3132 *	201	328	430	450	473	710.00
66T0 513 4131 3133 *	291	508	610	630	590	710.00
66T0 513 4131 3134 *	366	658	760	780	688	710.00
66T0 513 4131 3130 *	Length according to customer specifications					*

* TANKO® S30 not included in the scope of delivery

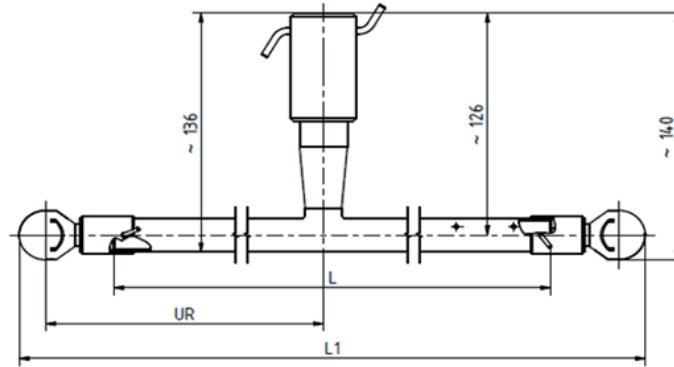
Measuring Report

Number of measuring points	Description	Price/EUR
5	Roughness	55.00

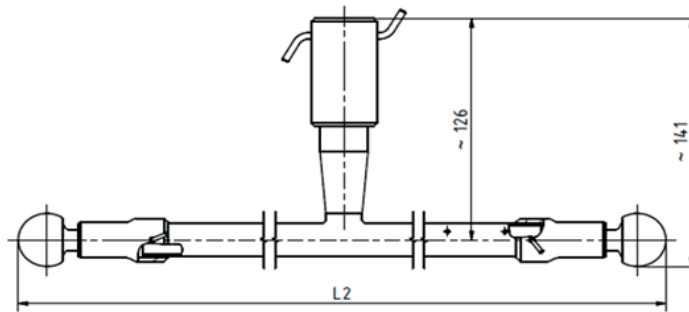
TANKO® R64T Clipon Connector for A29 Series

Configuration Examples

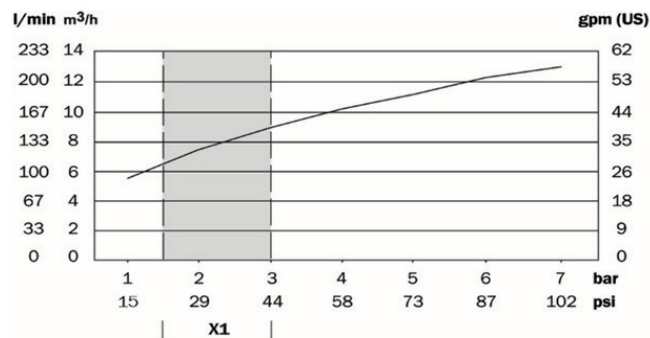
with TANKO® S30



with TANKO® RB30



Consumption data TANKO® R64T with C TANKO® S30



X1 – recommended operating pressure

Ordering Information

TANKO® R64T

Article no.	x [mm]	L [mm]	L1 [mm]	L2 [mm]	Weight without CD [g]	Price/EUR
66T0 512 4134 3131 *	111	148	250	278	365	710.00
66T0 512 4134 3132 *	201	328	430	458	484	710.00
66T0 512 4134 3133 *	291	508	610	638	604	710.00
66T0 512 4134 3134 *	366	658	760	788	703	710.00

* TANKO® S30 not included in the scope of delivery

Measuring Report

Number of measuring points	Description	Price/EUR
5	Roughness	55.00