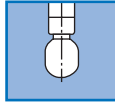


# TANKO® JM800



The TANKO® JM800 is a medium driven jet cleaner.

The device is used in a wide range of industrial applications where vessels and tanks need to be power-cleaned. The TANKO® JM800 can be deployed in the vessel through openings with a minimum diameter of 310 mm. The 360° spray pattern cleaning is based on 3 nozzles.

The device has sturdy, externally mounted bevel gear unit. This makes it easy for the user to check the condition of the bevel gears and clean them if necessary. It has been designed to produce the best cleaning results. It is self-cleaning and works with high impact. The slow rotation of the nozzles allows a large range with appropriate volumes of cleaning medium.

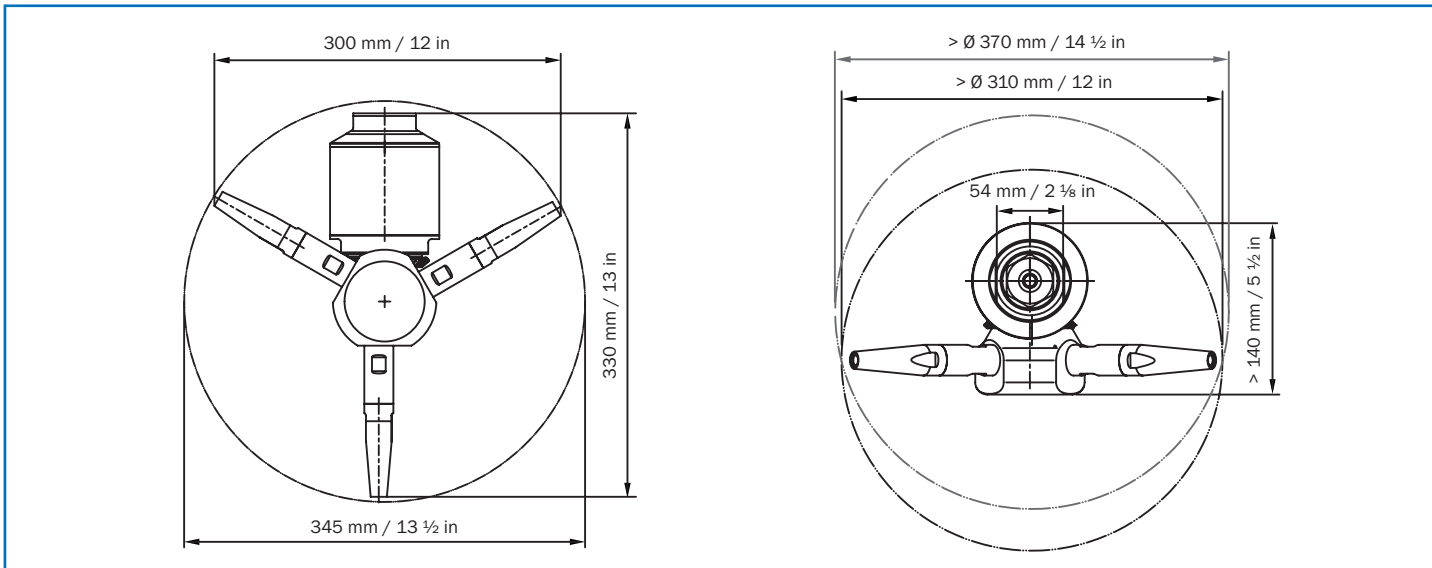
All consumption specifications are for orientation only.  
The dimensions listed are in mm and are nominal dimensions.

## Technical Parameters

<b>Spray angle:</b>	360° orbital
<b>Materials:</b>	1.4404 (316L), 1.4401 (316), 1.4571 (316Ti), PTFE and PEEK+PTFE
<b>Connections:</b>	1 ½" BSP or NPT female thread
<b>Operating pressure:</b>	Cleaning medium: 5 - 13 bar/73 - 189 psi
<b>Working temperature:</b>	Cleaning medium: max. 95 °C / 203 °F
<b>Ambient temperature:</b>	Inside the container: min. 5 °C / 41 °F , max. 140 °C / 284 °F
<b>Volume flow rate:</b>	14.3 - 27.6 m³/h / 238.3 - 460 l/min / 63 - 122 gpm (US) *
<b>Rotation speed (RPM):</b>	approx. 5 - 20 rpm
<b>Range:</b>	Cleaning radius: max. 6.8 m / 22.3 ft; wetting radius: max. 11.5 m / 37.7 ft
<b>Weight:</b>	approx. 7.2 Kg
<b>Installation position:</b>	Suspended vertically
<b>Min. installation opening:</b>	Ø 310 mm / 12 in, when installed centrally: Ø 370 mm / 14 ½ in
<b>Bearing:</b>	plain bearing

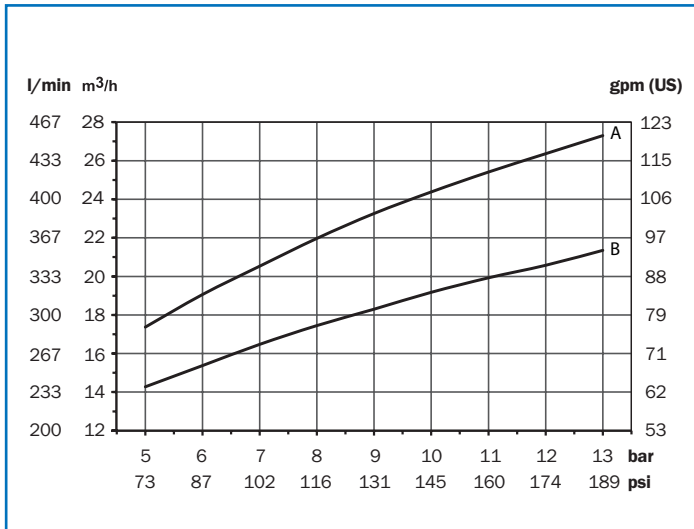
\*Depending on model and cleaning medium

## Dimensions

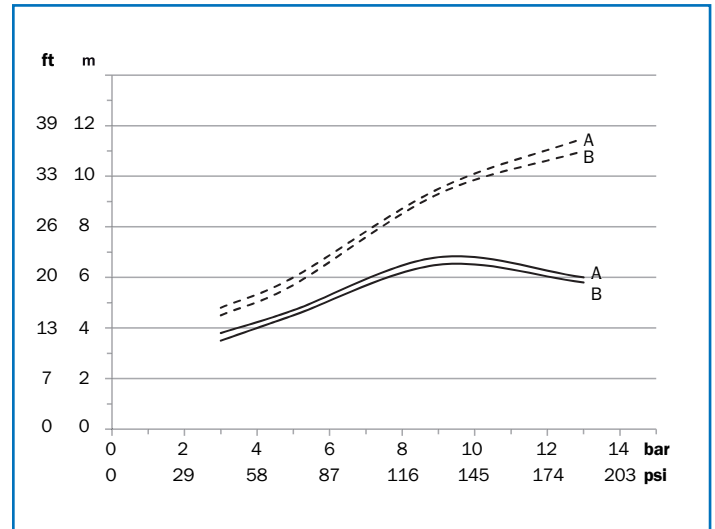


# TANKO® JM800

## Consumption Data and Throw Length Data



**A** – 3 x Ø 9.5 mm  
**B** – 3 x Ø 8.0 mm



**A** – Ø 9.5 mm  
**B** – Ø 8.0 mm

--- Wetting radius    — Cleaning radius

## Ordering Information

### TANKO® JM800

Article no.	Connection	Description	Nozzles	Pressure [bar]	Price/EUR
668 83 03NG Z0U0 20	1 1/2" BSP (female thread)	TANKO® JM800-G13	3 x Ø 8 mm	5 - 13	2.120.00
668 83 03NG Z0V0 20	1 1/2" BSP (female thread)	TANKO® JM800-G13	3 x Ø 9.5 mm	5 - 13	2.120.00
668 83 04NG Z0U0 20	1 1/2" NPT (female thread)	TANKO® JM800-G13	3 x Ø 8 mm	5 - 13	2.120.00
668 83 04NG Z0V0 20	1 1/2" NPT (female thread)	TANKO® JM800-G13	3 x Ø 9.5 mm	5 - 13	2.120.00