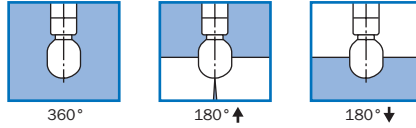
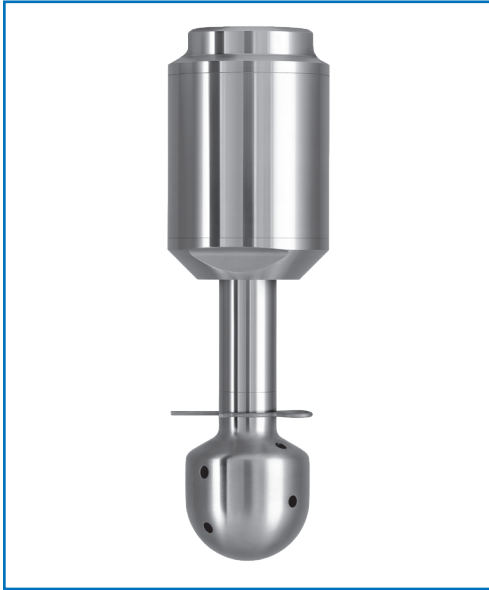


TANKO® CP3



The TANKO® CP3 is a slow-rotation jet cleaner.

With cleaning performance between the rotating spray balls of the TANKO® S series and the jet cleaners of the TANKO® JM series, the TANKO® CP3 is a low-cost solution for effectively cleaning vessels with diameters of up to 6 m. With slow, even rotation and strong impact, the TANKO® CP3 is suitable for cleaning vessels with strongly adhesive contents.

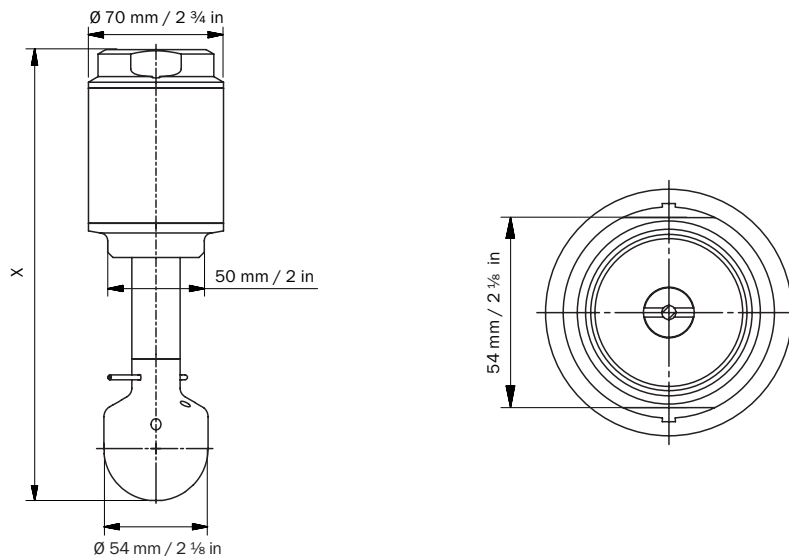
The TANKO® CP3 is a plain bearing system with a simple structure containing few moving parts. With its low servicing requirements, the TANKO® CP3 provides a compact and reliable solution for cleaning tasks with different cleaning medium and a large temperature range.

All consumption specifications are for orientation only.
The dimensions listed are in mm and are nominal dimensions.

Technical Parameters

Spray angle:	360°, 180° upwards, 180° downwards
Materials:	1.4404 (316L), 1.4401 (316), PTFE
Connections:	1 1/2" BSP or NPT female thread
Operating pressure:	Cleaning medium: 3 - 12 bar/43.5 - 174 psi
Working temperature:	Cleaning medium: max. 95°C / 203 °F
Ambient temperature:	Inside the container: max. 140°C / 284 °F Outside the vessel: min. -20°C / -4 °F, max. +40°C / 104 °F
Volume flow rate:	6.2 - 12.7 m ³ /h / 103.3 - 211.7 l/min / 27.3 - 55.9 gpm (US)
Rotation speed:	2 - 30 rpm
Weight:	2.6 kg
Range:	Cleaning radius: max. 3 m / 9.8 ft; wetting radius: max. 4.7 m / 15.4 ft
Installation position:	vertically suspended (other positions on request)
Min. installation opening:	Ø 72 mm / 2 ⁵³ / ₆₄ in

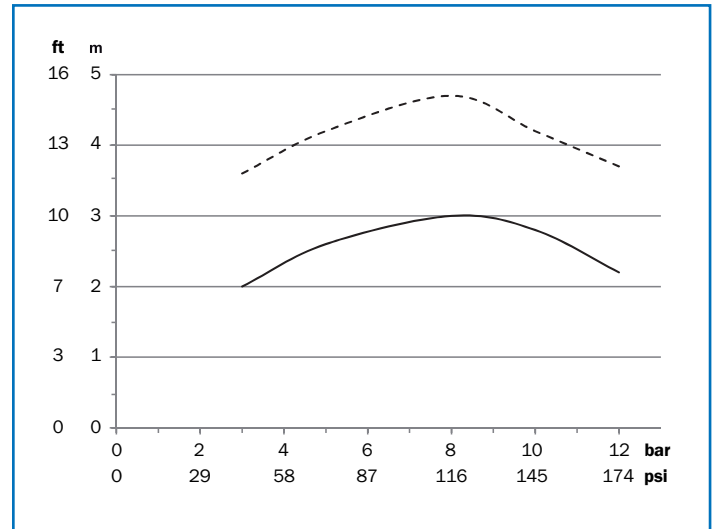
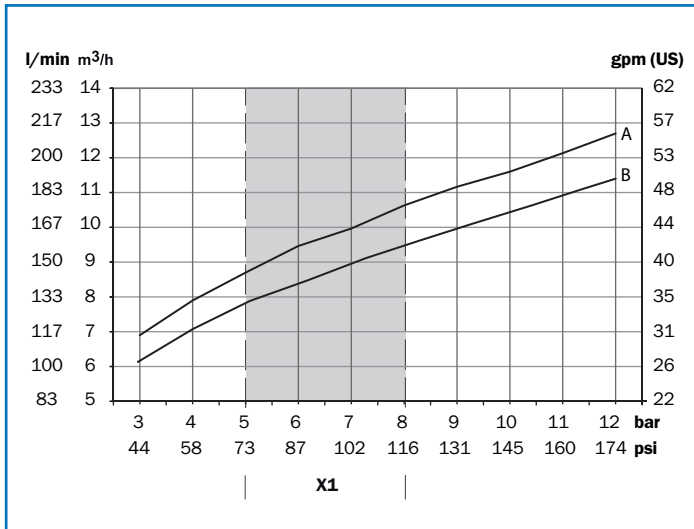
Dimensions



X - approx. 234 mm / 9.213 in

TANKO® CP3

Consumption Data and Throw Length Data



A – 360°

B – 180° upwards / 180° downwards

--- Wetting radius — Cleaning radius

X1 – recommended operating pressure

Ordering Information

TANKO® CP3

Article no.	Connection	Spray angle	Price/EUR
669 028 100 1320	1 1/2" BSP (female thread)	360°	625.00
669 028 100 1420	1 1/2" NPT (female thread)	360°	625.00
669 028 100 2320	1 1/2" BSP (female thread)	180° upwards	625.00
669 028 100 2420	1 1/2" NPT (female thread)	180° upwards	625.00
669 028 100 3320	1 1/2" BSP (female thread)	180° downwards	625.00
669 028 100 3420	1 1/2" NPT (female thread)	180° downwards	625.00

Services

Measuring Report

Number of measuring points	Description	Price/EUR
3	Roughness	35.00
5	Roughness	55.00