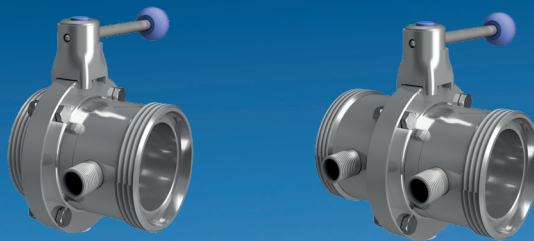


Butterfly Valve with double jacket for heating and cooling media



General

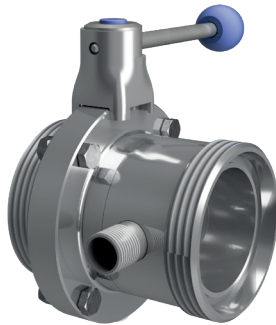
Highly viscous media that are kept flowable by temperature control are often a challenge for operators. **Heated fittings and pipe components** are therefore widely used in the food, bio-pharmaceutical, confectionery and cosmetics industries.

The new AWH butterfly valve series makes it possible to combine flanges with different connection variants using the modular system. Whether it is sufficient to **heat on one side** only or whether **heating on both sides** is required is up to the operator.

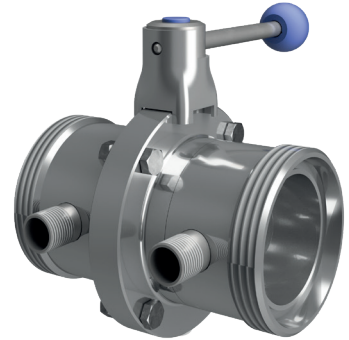
Existing valves can also be supplemented with a heatable flange. The design offers the greatest possible heat input into the valve and therefore also into the medium to be heated.



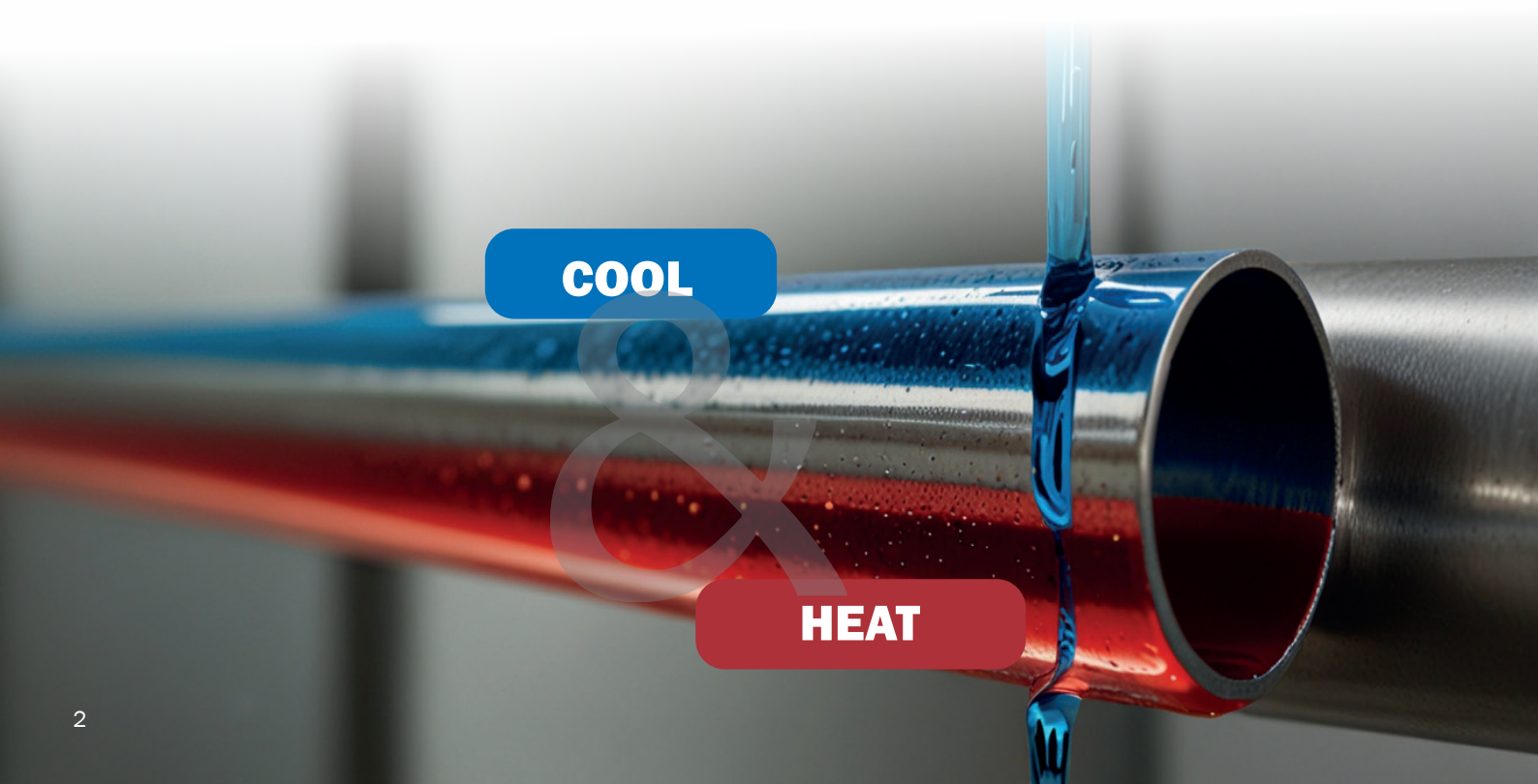
Butterfly valve heated on both sides, with pneumatic actuator VMove1



Butterfly valve Thread/Thread heated on one side, manually operated



Butterfly valve Thread/Thread heated on both sides, manually operated

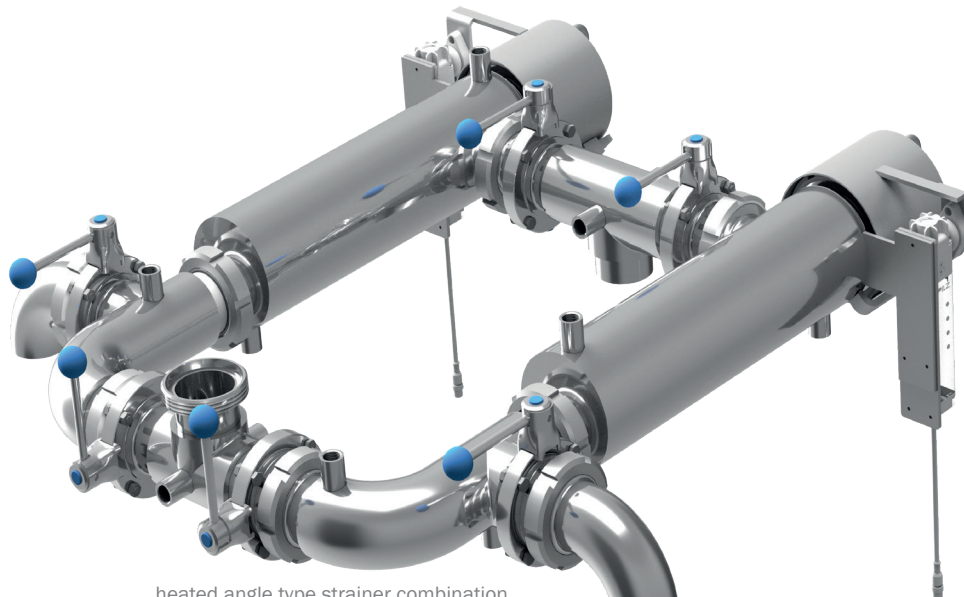


COOL

HEAT

Futher versions

Our product portfolio includes other components such as heated filters, bends and T-pieces. **Customized products** are available in various qualities and materials.



heated angle type strainer combination

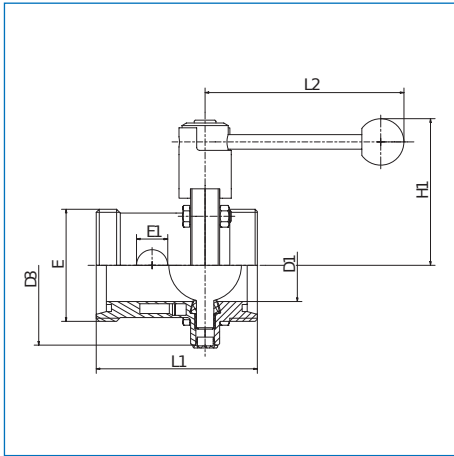


Of course, all products can be used not only for heating but also for cooling or as frost protection components in outdoor areas. There are numerous possible applications in the food and cosmetics industries.



Nominal sizes and connections

Butterfly Valve Thread/Thread heated on one side



DN DIN	L1	L2	H1	D1	D3	E	E1
25	100	107	90	26	87	Rd52x1/6	G3/8
40	111	137	94	38	97	Rd65x1/6	R1/2
50	111	137	101	50	110	Rd78x1/6	R1/2
65	117	137	110	66	127	Rd95x1/6	R1/2
80	140	167	123	81	142	Rd110x1/4	R1/2
100	139	167	134	100	162	Rd130x1/4	R1/2

manually operated

DN DIN	EPDM	FKM	HNBR
25	305705012/1	305705012/2	305705012/3
40	305707012/1	305707012/2	305707012/3
50	305708012/1	305708012/2	305708012/3
65	305709012/1	305709012/2	305709012/3
80	305710012/1	305710012/2	305710012/3
100	305712012/1	305712012/2	305712012/3

VMove Air/Spring

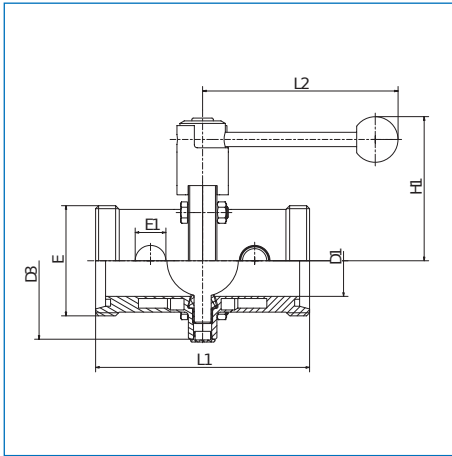
DN DIN	EPDM	FKM	HNBR
25	305705522/1	305705522/2	305705522/3
40	305707522/1	305707522/2	305707522/3
50	305708522/1	305708522/2	305708522/3
65	305709522/1	305709522/2	305709522/3
80	305710522/1	305710522/2	305710522/3
100	305712522/1	305712522/2	305712522/3

VMove Air/Air

DN DIN	EPDM	FKM	HNBR
25	305705542/1	305705542/2	305705542/3
40	305707542/1	305707542/2	305707542/3
50	305708542/1	305708542/2	305708542/3
65	305709542/1	305709542/2	305709542/3
80	305710542/1	305710542/2	305710542/3
100	305712542/1	305712542/2	305712542/3

Nominal sizes and connections

Butterfly Valve Thread/Thread heated on both sides



DN DIN	L1	L2	H1	D1	D3	E	E1
25	136	107	90	26	87	Rd52x1/6	G3/8
40	150	137	94	38	97	Rd65x1/6	R1/2
50	150	137	101	50	110	Rd78x1/6	R1/2
65	158	137	110	66	127	Rd95x1/6	R1/2
80	180	167	123	81	142	Rd110x1/4	R1/2
100	174	167	134	100	162	Rd130x1/4	R1/2

manually operated

DN DIN	EPDM	FKM	HNBR
25	305805012/1	305805012/2	305805012/3
40	305807012/1	305807012/2	305807012/3
50	305808012/1	305808012/2	305808012/3
65	305809012/1	305809012/2	305809012/3
80	305810012/1	305810012/2	305810012/3
100	305812012/1	305812012/2	305812012/3

VMove Air/Spring

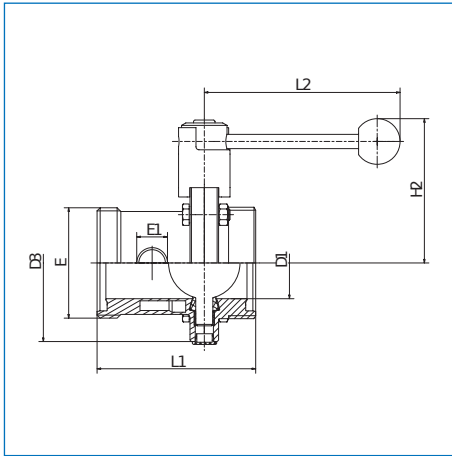
DN DIN	EPDM	FKM	HNBR
25	305805522/1	305805522/2	305805522/3
40	305807522/1	305807522/2	305807522/3
50	305808522/1	305808522/2	305808522/3
65	305809522/1	305809522/2	305809522/3
80	305810522/1	305810522/2	305810522/3
100	305812522/1	305812522/2	305812522/3

VMove Air/Air

DN DIN	EPDM	FKM	HNBR
25	305805542/1	305805542/2	305805542/3
40	305807542/1	305807542/2	305807542/3
50	305808542/1	305808542/2	305808542/3
65	305809542/1	305809542/2	305809542/3
80	305810542/1	305810542/2	305810542/3
100	305812542/1	305812542/2	305812542/3

Nominal sizes and connections

Butterfly Valve Thread/Thread DIN 11864-1 heated on one side



DN DIN	L1	L2	H1	D1	D3	E	E1
25	100	107	90	26	87	Rd52x1/6	G3/8
40	111	137	94	38	97	Rd65x1/6	R1/2
50	111	137	101	50	110	Rd78x1/6	R1/2
65	117	137	110	66	127	Rd95x1/6	R1/2
80	140	167	123	81	142	Rd110x1/4	R1/2
100	139	167	134	100	162	Rd130x1/4	R1/2

manually operated

DN DIN	EPDM	FKM	HNBR
25	306105012/1	306105012/2	306105012/3
40	306107012/1	306107012/2	306107012/3
50	306108012/1	306108012/2	306108012/3
65	306109012/1	306109012/2	306109012/3
80	306110012/1	306110012/2	305610012/3
100	306112012/1	306112012/2	305612012/3

VMove Air/Spring

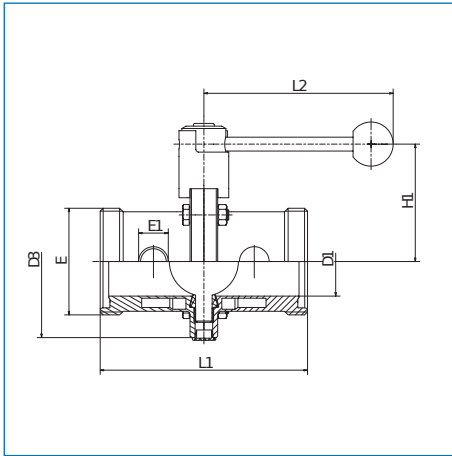
DN DIN	EPDM	FKM	HNBR
25	306105522/1	306105522/2	306105522/3
40	306107522/1	306107522/2	306107522/3
50	306108522/1	306108522/2	306108522/3
65	306109522/1	306109522/2	306109522/3
80	306110522/1	306110522/2	306110522/3
100	306112522/1	306112522/2	306112522/3

VMove Air/Air

DN DIN	EPDM	FKM	HNBR
25	306105542/1	306105542/2	306105542/3
40	306107542/1	306107542/2	306107542/3
50	306108542/1	306108542/2	306108542/3
65	306109542/1	306109542/2	306109542/3
80	306110542/1	306110542/2	306110542/3
100	306112542/1	306112542/2	306112542/3

Nominal sizes and connections

Butterfly Valve Thread/Thread DIN 11864-1 heated on both sides



DN DIN	L1	L2	H1	D1	D3	E	E1
25	136	107	90	26	87	Rd52x1/6	G3/8
40	150	137	94	38	97	Rd65x1/6	R1/2
50	150	137	101	50	110	Rd78x1/6	R1/2
65	158	137	110	66	127	Rd95x1/6	R1/2
80	180	167	123	81	142	Rd110x1/4	R1/2
100	174	167	134	100	162	Rd130x1/4	R1/2

manually operated

DN DIN	EPDM	FKM	HNBR
25	306205012/1	306205012/2	306205012/3
40	306207012/1	306207012/2	306207012/3
50	306208012/1	306208012/2	306208012/3
65	306209012/1	306209012/2	306209012/3
80	306210012/1	306210012/2	305620012/3
100	306212012/1	306212012/2	305622012/3

VMove Air/Spring

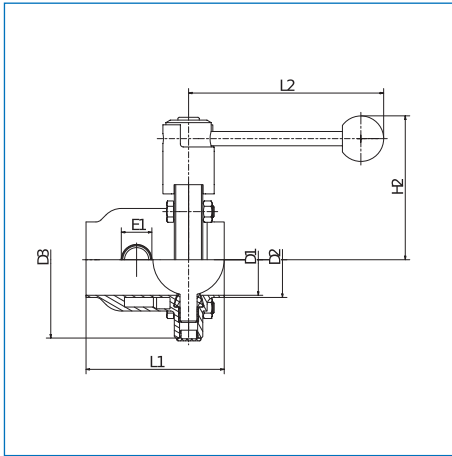
DN DIN	EPDM	FKM	HNBR
25	306205522/1	306205522/2	306205522/3
40	306207522/1	306207522/2	306207522/3
50	306208522/1	306208522/2	306208522/3
65	306209522/1	306209522/2	306209522/3
80	306210522/1	306210522/2	306210522/3
100	306212522/1	306212522/2	306212522/3

VMove Air/Air

DN DIN	EPDM	FKM	HNBR
25	306205542/1	306205542/2	306205542/3
40	306207542/1	306207542/2	306207542/3
50	306208542/1	306208542/2	306208542/3
65	306209542/1	306209542/2	306209542/3
80	306210542/1	306210542/2	306210542/3
100	306212542/1	306212542/2	306212542/3

Nominal sizes and connections

Butterfly Valve Weldon/Weldon EN10357 heated on one side



DN DIN	L1	L2	H1	D1	D3	E	E1
25	84	107	90	26	29	87	G3/8
40	97	137	94	38	41	97	R1/2
50	97	137	101	50	53	110	R1/2
65	101	137	110	66	70	127	R1/2
80	117	167	123	81	85	142	R1/2
100	116	167	134	100	104	162	R1/2

manually operated

DN DIN	EPDM	FKM	HNBR
25	306305012/1	306305012/2	306305012/3
40	306307012/1	306307012/2	306307012/3
50	306308012/1	306308012/2	306308012/3
65	306309012/1	306309012/2	306309012/3
80	306310012/1	306310012/2	305630012/3
100	306312012/1	306312012/2	305632012/3

VMove Air/Spring

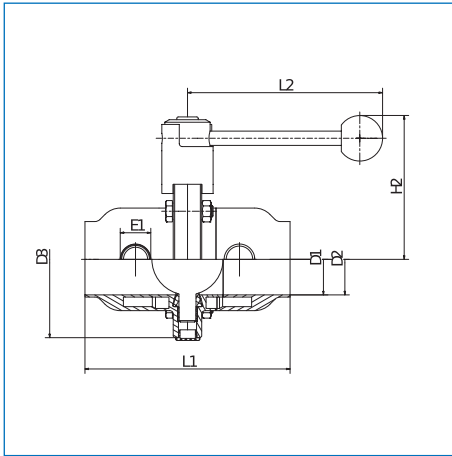
DN DIN	EPDM	FKM	HNBR
25	306305522/1	306305522/2	306305522/3
40	306307522/1	306307522/2	306307522/3
50	306308522/1	306308522/2	306308522/3
65	306309522/1	306309522/2	306309522/3
80	306310522/1	306310522/2	306310522/3
100	306312522/1	306312522/2	306312522/3

VMove Air/Air

DN DIN	EPDM	FKM	HNBR
25	306305542/1	306305542/2	306305542/3
40	306307542/1	306307542/2	306307542/3
50	306308542/1	306308542/2	306308542/3
65	306309542/1	306309542/2	306309542/3
80	306310542/1	306310542/2	306310542/3
100	306312542/1	306312542/2	306312542/3

Nominal sizes and connections

Butterfly Valve Weldon/Weldon EN10357 heated on both sides



DN DIN	L1	L2	H1	D1	D3	E	E1
25	128	107	90	26	29	87	G3/8
40	144	137	94	38	41	97	R1/2
50	144	137	101	50	53	110	R1/2
65	152	137	110	66	70	127	R1/2
80	174	167	123	81	85	142	R1/2
100	168	167	134	100	104	162	R1/2

manually operated

DN DIN	EPDM	FKM	HNBR
25	306405012/1	306405012/2	306405012/3
40	306407012/1	306407012/2	306407012/3
50	306408012/1	306408012/2	306408012/3
65	306409012/1	306409012/2	306409012/3
80	306410012/1	306410012/2	305640012/3
100	306412012/1	306412012/2	305642012/3

VMove Air/Spring

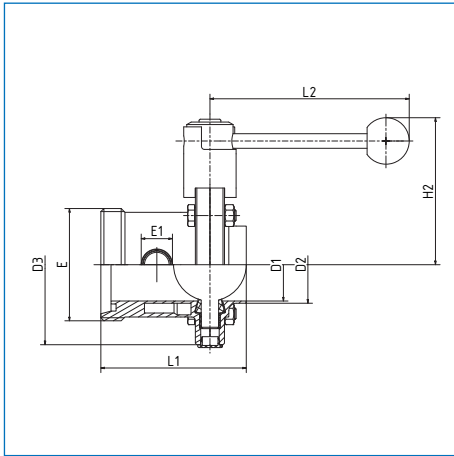
DN DIN	EPDM	FKM	HNBR
25	306405522/1	306405522/2	306405522/3
40	306407522/1	306407522/2	306407522/3
50	306408522/1	306408522/2	306408522/3
65	306409522/1	306409522/2	306409522/3
80	306410522/1	306410522/2	306410522/3
100	306412522/1	306412522/2	306412522/3

VMove Air/Air

DN DIN	EPDM	FKM	HNBR
25	306405542/1	306405542/2	306405542/3
40	306407542/1	306407542/2	306407542/3
50	306408542/1	306408542/2	306408542/3
65	306409542/1	306409542/2	306409542/3
80	306410542/1	306410542/2	306410542/3
100	306412542/1	306412542/2	306412542/3

Nominal sizes and connections

Butterfly Valve Thread/Weldon heated on one side



DN DIN	L1	L2	H1	D1	D2	D3	E	E1
25	88	107	90	26	29	87	Rd52x1/6	G3/8
40	100	137	94	38	41	97	Rd65x1/6	R1/2
50	100	137	101	50	53	110	Rd78x1/6	R1/2
65	104	137	110	66	70	127	Rd95x1/6	R1/2
80	120	167	123	81	85	142	Rd110x1/4	R1/2
100	119	167	134	100	104	162	Rd130x1/4	R1/2

manually operated

DN DIN	EPDM	FKM	HNBR
25	306505012/1	306505012/2	306505012/3
40	306507012/1	306507012/2	306507012/3
50	306508012/1	306508012/2	306508012/3
65	306509012/1	306509012/2	306509012/3
80	306510012/1	306510012/2	306510012/3
100	306512012/1	306512012/2	306512012/3

VMove Air/Spring

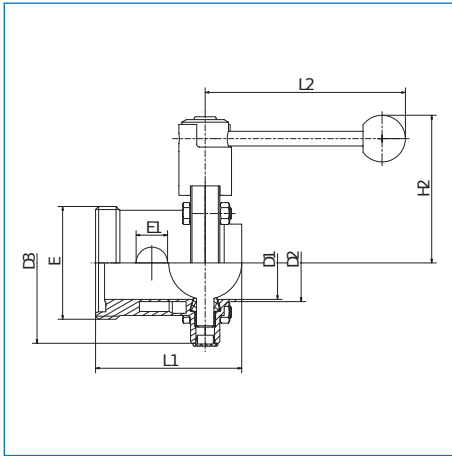
DN DIN	EPDM	FKM	HNBR
25	306505522/1	306505522/2	306505522/3
40	306507522/1	306507522/2	306507522/3
50	306508522/1	306508522/2	306508522/3
65	306509522/1	306509522/2	306509522/3
80	306510522/1	306510522/2	306510522/3
100	306512522/1	306512522/2	306512522/3

VMove Air/Air

DN DIN	EPDM	FKM	HNBR
25	306505542/1	306505542/2	306505542/3
40	306507542/1	306507542/2	306507542/3
50	306508542/1	306508542/2	306508542/3
65	306509542/1	306509542/2	306509542/3
80	306510542/1	306510542/2	306510542/3
100	306512542/1	306512542/2	306512542/3

Nominal sizes and connections

Butterfly Valve Thread/Weldon DIN 11864-1 heated on one side



DN DIN	L1	L2	H1	D1	D2	D3	E	E1
25	88	107	90	26	29	87	Rd52x1/6	G3/8
40	100	137	94	38	41	97	Rd65x1/6	R1/2
50	100	137	101	50	53	110	Rd78x1/6	R1/2
65	104	137	110	66	70	127	Rd95x1/6	R1/2
80	120	167	123	81	85	142	Rd110x1/4	R1/2
100	119	167	134	100	104	162	Rd130x1/4	R1/2

manually operated

DN DIN	EPDM	FKM	HNBR
25	306605012/1	306605012/2	306605012/3
40	306607012/1	306607012/2	306607012/3
50	306608012/1	306608012/2	306608012/3
65	306609012/1	306609012/2	306609012/3
80	306610012/1	306610012/2	306610012/3
100	306612012/1	306612012/2	306612012/3

VMove Air/Spring

DN DIN	EPDM	FKM	HNBR
25	306605522/1	306605522/2	306605522/3
40	306607522/1	306607522/2	306607522/3
50	306608522/1	306608522/2	306608522/3
65	306609522/1	306609522/2	306609522/3
80	306610522/1	306610522/2	306610522/3
100	306612522/1	306612522/2	306612522/3

VMove Air/Air

DN DIN	EPDM	FKM	HNBR
25	306605542/1	306605542/2	306605542/3
40	306607542/1	306607542/2	306607542/3
50	306608542/1	306608542/2	306608542/3
65	306609542/1	306609542/2	306609542/3
80	306610542/1	306610542/2	306610542/3
100	306612542/1	306612542/2	306612542/3



Armaturenwerk Hötensleben GmbH
 Schulstr. 5-6
 D-39393 Hötensleben

Tel: +49 39405 92-0
 Fax: +49 39405 92-111
 E-Mail: info@awh.eu
 http://www.awh.eu

NEUMO Ehrenberg Group

